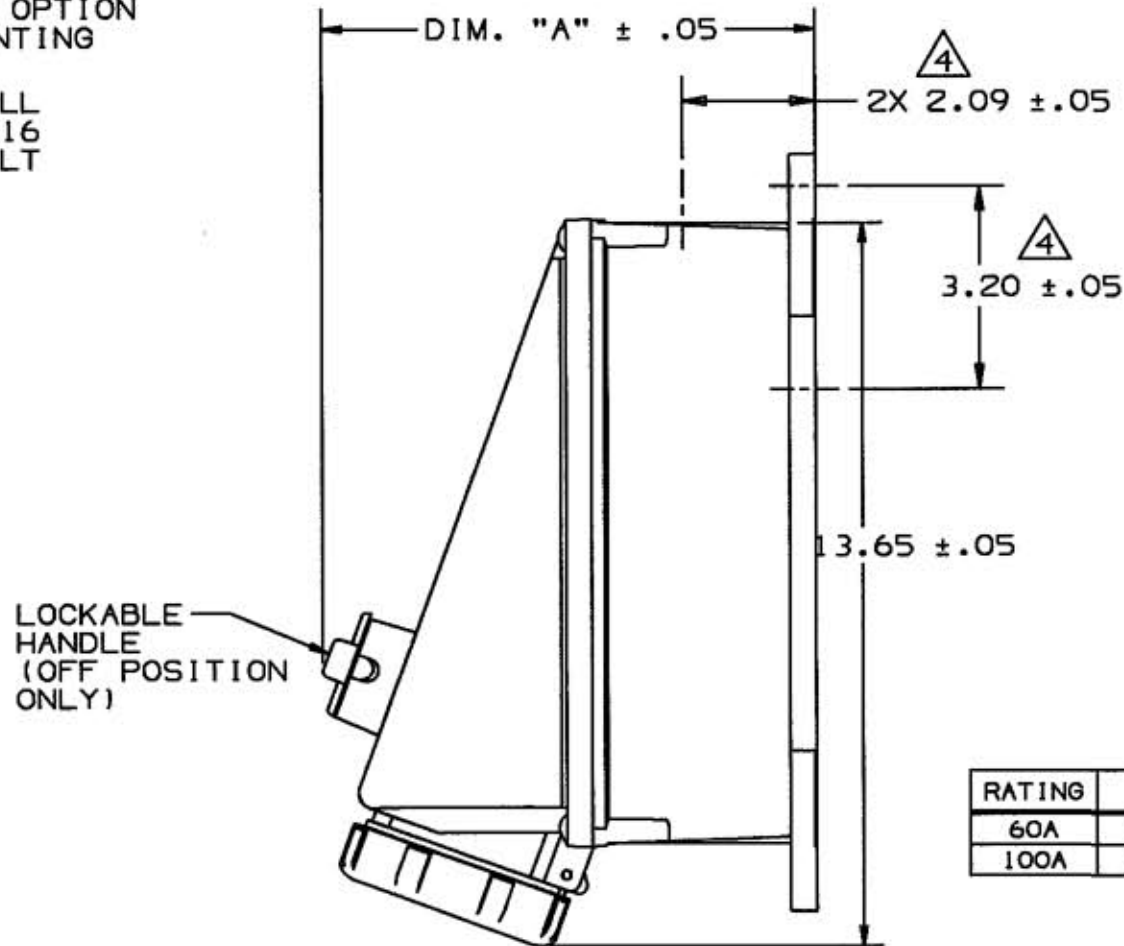
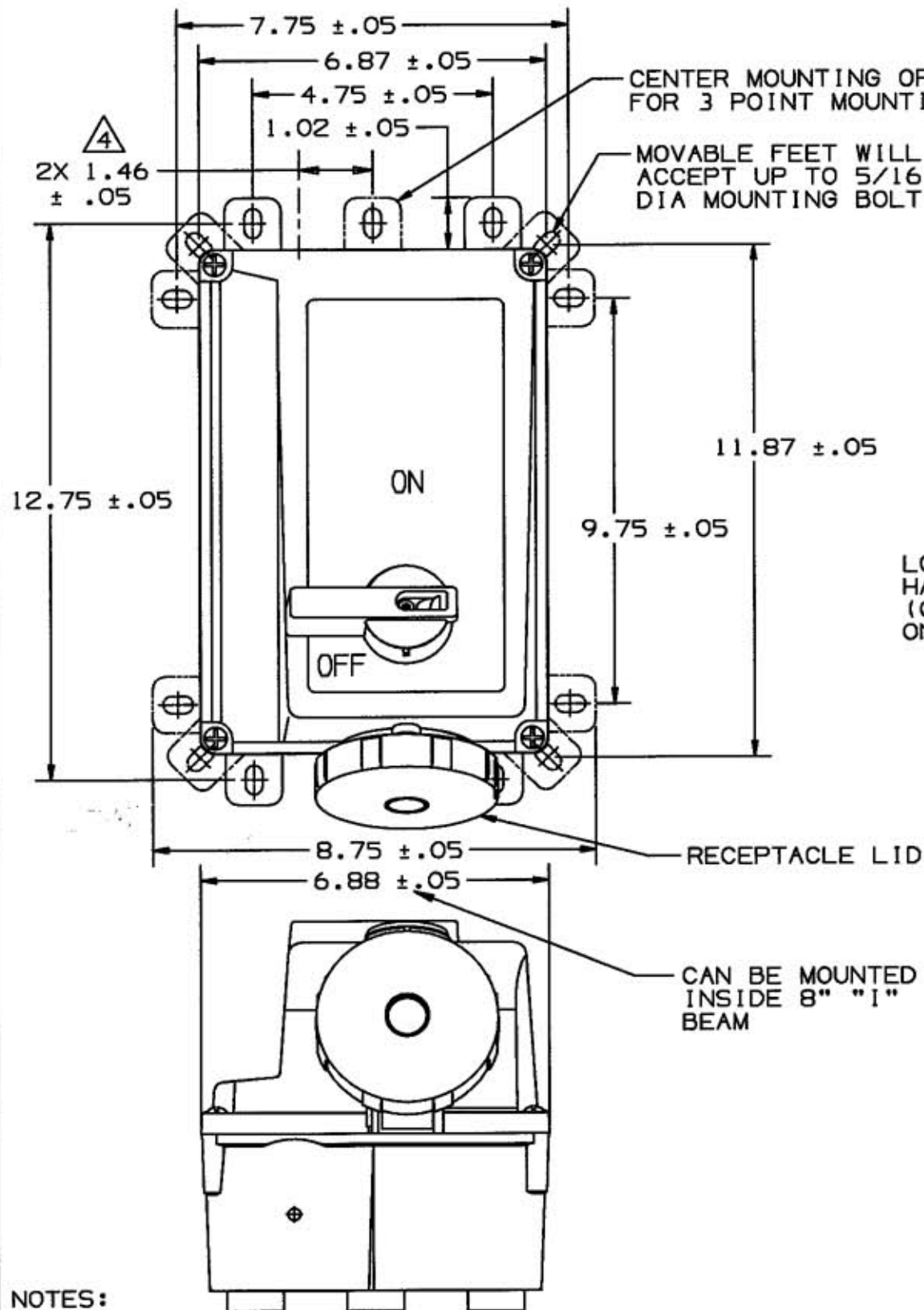


M-6993 6



CAT. NOS.	AMPS	RATING	HORSEPOWER	POLES	WIRES
HBL360M14W	60	120VAC	3	2	3
HBL360M16W	60	240VAC	7.5 (208-240VAC)	2	3
HBL360M17W	60	480VAC	20	2	3
HBL460M15W	60	600VAC 3Ø	40	3	4
HBL460M15WR	60	600VAC 3Ø	40	3	4
HBL460M17W	60	480VAC 3Ø	30	3	4
HBL460M17WR	60	480VAC 3Ø	30	3	4
HBL460M19W	60	240VAC 3Ø	15	3	4
HBL460M19WR	60	240VAC 3Ø	15	3	4
HBL460M112W	60	120/240VAC	7.5 (208-240VAC L-L)	3	4
HBL460M112WR	60	120/240VAC	7.5 (208-240VAC L-L)	3	4
HBL560M15W	60	347/600VAC 3Ø Y	40	4	5
HBL560M17W	60	277/480VAC 3Ø Y	30	4	5
HBL560M19W	60	120/208VAC 3Ø Y	15	4	5
HBL3100M16W	100	240VAC	15	2	3
		208VAC	10	2	3
HBL4100M15W	100	600VAC 3Ø	50	3	4
HBL4100M15WR	100	600VAC 3Ø	50	3	4
HBL4100M17W	100	480VAC 3Ø	50	3	4
HBL4100M17WR	100	480VAC 3Ø	50	3	4
HBL4100M19W	100	240VAC 3Ø	25	3	4
HBL4100M19WR	100	240VAC 3Ø	25	3	4
HBL4100M112WR	100	120/240VAC	15 (208-240VAC L-L)	3	4
HBL5100M19W	100	120/208VAC 3Ø Y	20	4	5
HBL460M15WS	60	600VAC 3Ø	40	3	4
HBL5100M15WS	100	600VAC 3Ø	50	3	4
HBL4100M112W	100	120/240VAC	15	3	4

- NOTES:
- ENCLOSURE TYPE 4X & 12.
 - UL 508 LISTED & CSA CERTIFIED.
 - RECEPTACLE IS IEC 309-1 & 2 PIN & SLEEVE.
 - DRILL POINT LOCATIONS (3) FOR CONDUIT FITTING INSTALLATION.
 - 1 1/4" NPT CONDUIT FITTING SUPPLIED. PROVISION FOR BOTTOM, BACK & TOP FEED.

DESCRIPTION	MATERIAL	FINISH
ALL EXTERNAL	UV	
PLASTIC PARTS	STABILIZED POLYESTER BLEND	
ALL EXTERNAL SCREWS	STAINLESS STEEL	
THREADED HUB	DIE CAST	
INSULATED THROAT	ZINC	

SYM	REVISIONS	APP	DATE
6	ADDED CAT. NO. HBL4100M112W PER DCN# 11314 PJT	PJT	11/3/03
5	ADDED CAT. NO.'S HBL460M15WS AND HBL5100M15WS. PER DCN 11116 SPN	RDK	8/28/03
4	ADDED TOL TO ALL DIMS PER DCN #7793. AMZ	DB	7/27/00
3	ADDED CATALOG NUMBERS FOR REVERSE SERVICE & "HBL" PREFIX PER DCN 6500 CAC	CAC	12/28/98
2	ADDED NOTES 4 & 5: ADDED RATING TABLE, ADDED 3.20 DIM. REMOVED CONDUIT FITTING FROM PICTURE, DIM "A" WAS 8.60, REVISED NOTE 1 PER DCN #3740 RCM		9/5/95
1	RELEASED PER DCN 1088 RCM		2/11/92

THE DESIGN AND DIMENSIONS OF THE PRODUCT SHOWN ON THIS DRAWING ARE SUBJECT TO CHANGE WITHOUT NOTICE

TITLE
DIMENSION SHEET FOR 60A & 100A MECHANICAL INTERLOCK

TOLERANCES UNLESS OTHERWISE SPECIFIED	WIRING DEVICE-KELLEMS HUBBELL INCORPORATED BRIDGEPORT, CT	
FRACTIONS ±1/64	DR. BY RCM	APP. BY ZIMM
DECIMALS ±.005	TR. BY	SCALE $\frac{1}{2}$
ANGLES ±2°	CHK'D BY	DATE 2/11/92

DIMENSION SHEET FOR CAT. NO. M-6993
 REPAIRABLE NON-REPAIRABLE B
 SEE TABLE
 CODE 74545